

(Following Paper ID and Roll No. to be filled in your Answer Book)

Paper ID : 131305

Roll No.

**B.Tech.**

**(SEM. III) THEORY EXAMINATION, 2015-16**

**DIGITAL LOGIC DESIGN**

**[Time:3 hours]**

**[Total Marks:100]**

**Section-A**

1. Attempt all parts. All parts carry equal marks. Write answer of each part in short. (10×2=20)
- (a) Define Primitive Flow table.
  - (b) What is race around condition in JK flip flop?
  - (c) How many address lines and input output lines are needed in 2G X8 memory unit.
  - (d) Differentiate between EPROM and EEPROM.
  - (e) Design full adder using two half adders.



- (f) Differentiate between encoders and decoders.
- (g) Subtract 11010 from 10110 using 2's complement.
- (h) Represent  $(213.25)_{10}$  in single precision floating point representation.
- (i) Convert decimal 9 into gray code.
- (j) Simplify the Boolean expression:  $Y=(A+B)(A+C')(B'+C')$ .

### Section-B

Attempt any five questions from this section. (10×5=50)

- 2. Obtain Hamming codeword for the given data: "11001001010"
- 3. Design a 4-bit by 4-bit Binary Multiplier.
- 4. Design a 3-bit binary to Gray Code converter using PLA.
- 5. Explain the difference between SRAM and DRAM.
- 6. Draw and explain 4-bit Universal shift Register.

- 7. Design a clocked sequential circuit that operates according to the state diagram shown:

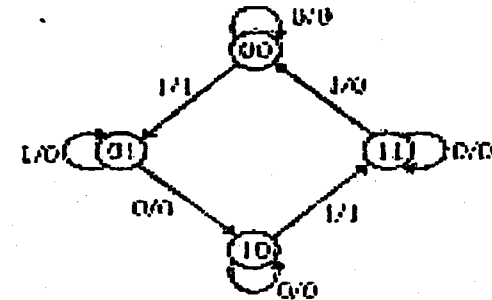


Figure: State Diagram

Implement the circuit using D Flip-Flop.

- 8. Describe the general procedures that must be followed to ensure a race-free state assignment with example.
- 9. Obtain the reduced flow table for an Asynchronous sequential circuit that has two inputs  $x_2$  and  $x_1$  and one output  $z$ . When  $x_1=0$  the output  $z=0$ . The first change in  $x_2$  that occurs while  $x_1=1$  will cause output  $z$  to be 1. The output  $z$  will remain 1 until  $x_1$  returns to zero.

### Section-C

Attempt **any two** questions from this section.  $15 \times 2 = 30$

10. (a) Implement the following Boolean function with a multiplexer:

$$F(A, B, C, D) = \sum(0, 2, 5, 7, 11, 14)$$

- (b) Using a decoder and external gates, design the combinational circuit defined by the following three Boolean functions:

$$F1 = (y' + x')z$$

$$F2 = y'z' + yz'$$

$$F3 = (x' + y)z$$

11. Minimize the following Boolean function using tabular method (Quine Mc- Cluskey method)

$$f(A, B, C, D) \sum = m(4, 5, 6, 8, 9, 10, 13) + \sum d(0, 7, 15)$$

12. A sequential circuit has two JK flip-flops A and B, two inputs X and Y, and one output Z. The flip-flop input equations are:

$$JA = BX + B'Y' \quad KA = B'XY'$$

$$JB = A'X \quad KB = A + XY'$$

$$Z = AXY + BX'Y'$$

- Draw the logic diagram
- Derive the state equations.
- Obtain the state table, state diagram.



COMPUTER GEEK  
compgeek.co.in